



SMARTEH[®]
LIVING SYSTEMS

USER MANUAL

- ▶ Longo Bluetooth Products
LBT-1.DI1
Bluetooth Mesh digital input
module

Version 1

Written by SMARTEH d.o.o.
Copyright © 2024, SMARTEH d.o.o.

User Manual

Document Version: 1
May, 2024



STANDARDS AND PROVISIONS: Standards, recommendations, regulations and provisions of the country in which the devices will operate, must be considered while planning and setting up electrical devices. Work on 100 .. 240 V AC network is allowed for authorized personnel only.

DANGER WARNINGS: Devices or modules must be protected from moisture, dirt and damage during transport, storing and operation.

WARRANTY CONDITIONS: For all modules LBT-1 - if no modifications are performed upon and are correctly connected by authorized personnel - in consideration of maximum allowed connecting power, warranty of 24 months is valid from the date of sale to the end buyer, but not more than 36 months after delivery from Smarteh. In case of claims within warranty time, which are based on material malfunctions the producer offers free replacement. The method of return of malfunctioned module, together with description, can be arranged with our authorized representative. Warranty does not include damage due to transport or because of unconsidered corresponding regulations of the country, where the module is installed.



This device must be connected properly by the provided connection scheme in this manual. Misconnections may result in device damage, fire or personal injury.



Hazardous voltage in the device can cause electric shock and may result in personal injury or death.

NEVER SERVICE THIS PRODUCT YOURSELF!

This device must not be installed in the systems critical for life (e.g. medical devices, aircrafts, etc.).



If the device is used in a manner not specified by the manufacturer, the degree of protection provided by the equipment may be impaired.

Waste electrical and electronic equipment (WEEE) must be collected separately!

LBT-1 devices are developed considering the following standards:

- EMC: EN 303 446-1
- LVD: EN 60669-2-1

Smarteh d.o.o. operates a policy of continuous development. Therefore we reserve the right to make changes and improvements to any of the products described in this manual without any prior notice.

MANUFACTURER:

SMARTTEH d.o.o.
Poljubinj 114
5220 Tolmin
Slovenia



Index

Longo Bluetooth Products LBT-1.DI1

- 1.ABBREVIATIONS.....1
- 2.DESCRPTION.....2
- 3.FEATURES.....3
- 4.OPERATION.....4
 - 4.1.Other digital input module functions.....5
 - 4.2.Operation parameters.....6
- 5.INSTALLATION.....10
 - 5.1.Connection scheme.....10
 - 5.2.Mounting instructions.....12
- 6.SYSTEM OPERATION16
 - 6.1.Interference warning16
- 7.TECHNICAL SPECIFICATIONS.....17
- 8.MODULE LABELING.....18
- 9.CHANGES19
- 10.NOTES.....20





1. ABBREVIATIONS

LED	Light Emitted Diode
PLC	Programmable Logic Controller
PC	Personal Computer
OpCode	Message Option Code



2. DESCRIPTION

LBT-1.DI1 Bluetooth Mesh digital input module is a module to extend Bluetooth Mesh network. It also has two switch inputs that can be used to control other modules in the network. The module can operate with a wide range of DC and AC voltages. Due to its small size it can be installed in a 60 mm diameter flush mounting box.

LBT-1.DI1 Bluetooth Mesh digital input module can only operate with Smarteh LBT-1.GWx Modbus RTU Bluetooth Mesh gateway connected to the same Bluetooth Mesh network. LBT-1.GWx Modbus RTU gateway is connected to the main control device as Smarteh LPC-3.GOT.012 7" PLC based Touch panel, any other PLC or any PC with Modbus RTU communication. Besides Smarteh Bluetooth Mesh devices, other standard Bluetooth Mesh devices can be integrated into above mentioned Bluetooth Mesh network. More than a hundred Bluetooth Mesh devices can be provisioned and can operate in a single Bluetooth Mesh network.



3. FEATURES

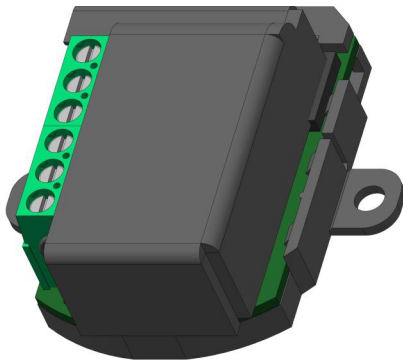


Figure 1: LBT-1.DI1

Table 1: Technical data

Communication standard: Bluetooth Mesh is a low power wireless mesh protocol and allows device to device communication and device to main control device communication.

Radio frequency: 2.4 GHz

Radio range for direct connection: < 30m, depending on application and building.
By using Bluetooth Mesh topology, much bigger distances can be achieved.

Power supply: 11.5 .. 13.5 V DC or 90 .. 264 V AC, 50/60Hz

Ambient temperature: 0 .. 40 °C

Storage temperature: -20 .. 60 °C

Status indicators: red and green LED

Bluetooth Mesh network repeater

2 switch digital inputs

Mounting in flush mounting box



4. OPERATION

LBT-1.DI1 Bluetooth Mesh digital input module can only operate with Smarteh LBT-1.GWx Modbus RTU Bluetooth Mesh gateway while provisioned to the same Bluetooth Mesh network.

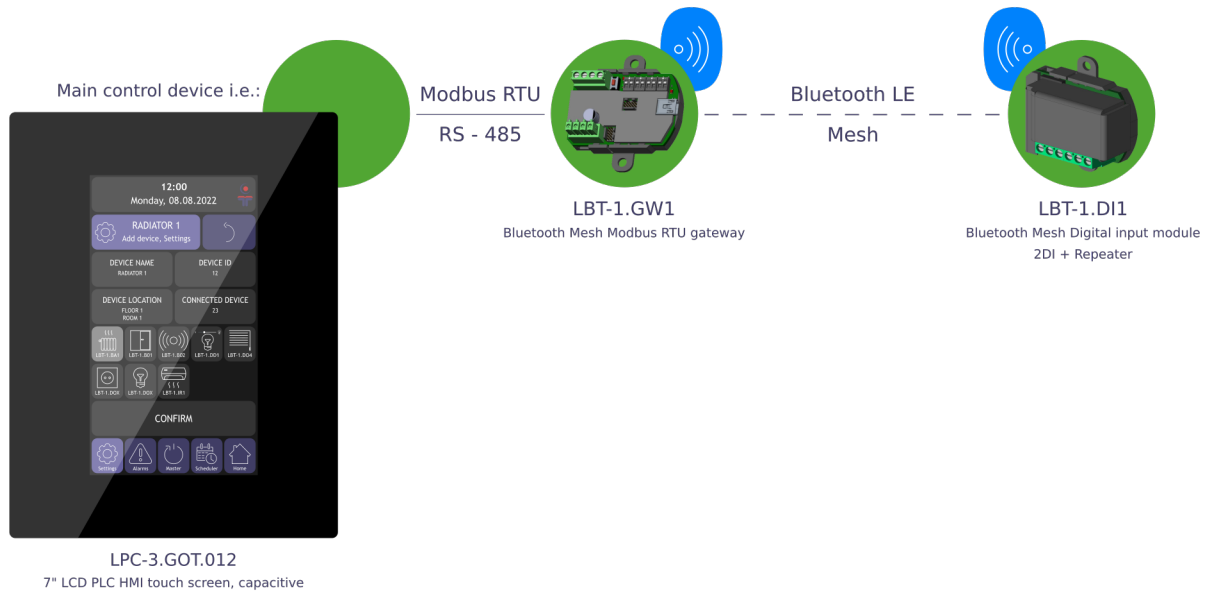


Figure 2: LBT-1.DI1 device connection

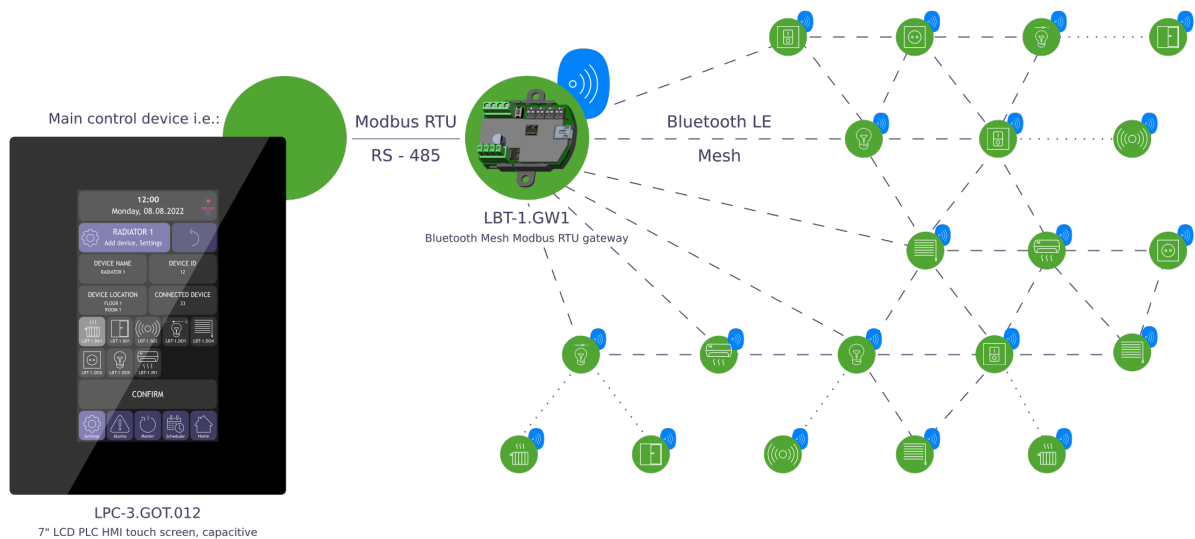


Figure 3: Bluetooth Mesh system topology





4.1. Other digital input module functions

- **Factory reset:** This function will delete all Bluetooth Mesh network parameters stored on LBT-1.DI1 digital input module and will restore to the conditions of the initial programming, ready for provisioning. See Table 5 for more information.



4.2. Operation parameters

LBT-1.DI1 Bluetooth Mesh digital input module accepts a set of operation codes as specified in below tables 2 to 4.

LBT-1.DI1 Bluetooth Mesh digital input module is communicating with the main control device as Smarteh LPC-3.GOT.012 or similar via Smarteh LBT-1.GWx Modbus RTU Bluetooth Mesh gateway. All communication between the main control device is performed by using Modbus RTU communication. Individual Bluetooth Mesh node configuration data should be observed by using the network provisioning tool.

Table 2: 4xxxx, Holding registers, Modbus RTU to Bluetooth Mesh gateway

Reg.	Name	Description	Raw → Engineering data
10	Execute command	Execute command for Read and/or Write by toggling bit	Bit0 toggle → Write Bit1 toggle → Read
11	Destination address*	Destination node address. Can be a unicast, group or virtual address	0 .. 65535 → 0 .. 65535
12	Element index*	Sending node model element index	0 .. 65535 → 0 .. 65535
13	Vendor ID*	Vendor ID of the sending node model	0 .. 65535 → 0 .. 65535
14	Model ID*	Model ID of the sending node model	0 .. 65535 → 0 .. 65535
16	Virtual address index*	Index of the destination Label UUID	0 .. 65535 → 0 .. 65535
17	Application key index*	The application key index used	0 .. 65535 → 0 .. 65535
18	Option code**	Refer to the option code table	0 .. 63 → 0 .. 63
19	Payload byte length**	Refer to the option code table	1 .. 10 → 1 .. 10 bytes
20	Payload word[0]**	Refer to the option code table	0 .. 65535 → 0 .. 65535
21	Payload word[1]**	Refer to the option code table	0 .. 65535 → 0 .. 65535
22	Payload word[2]**	Refer to the option code table	0 .. 65535 → 0 .. 65535
23	Payload word[3]**	Refer to the option code table	0 .. 65535 → 0 .. 65535
24	Payload word[4]**	Refer to the option code table	0 .. 65535 → 0 .. 65535

* Observed from network provisioning tool

** User defined parameters, refer to the option code table



Table 3: 3xxxx, Input registers, Modbus RTU to Bluetooth Mesh gateway

Reg.	Name	Description	Raw → Engineering data
10	Messages pending	Number of messages pending in receiving buffer	1 .. 10 → 1 .. 10
11	Destination address	Destination node address. Can be a unicast, group or virtual address	0 .. 65535 → 0 .. 65535
12	Element index	Sending node model element index	0 .. 65535 → 0 .. 65535
13	Vendor ID	Vendor ID of the sending node model	0 .. 65535 → 0 .. 65535
14	Model ID	Model ID of the sending node model	0 .. 65535 → 0 .. 65535
15	Source address	Unicast address of the node model which sent the message	0 .. 65535 → 0 .. 65535
16	Virtual address index	Index of the destination Label UUID	0 .. 65535 → 0 .. 65535
17	Application key index	The application key index used	0 .. 65535 → 0 .. 65535
18	Option code	Refer to the option code table	0 .. 63 → 0 .. 63
19	Payload length	Refer to the option code table	1 .. 10 → 1 .. 10 bytes
20	Payload word[0]	Refer to the option code table	0 .. 65535 → 0 .. 65535
21	Payload word[1]	Refer to the option code table	0 .. 65535 → 0 .. 65535
22	Payload word[2]	Refer to the option code table	0 .. 65535 → 0 .. 65535
23	Payload word[3]	Refer to the option code table	0 .. 65535 → 0 .. 65535
24	Payload word[4]	Refer to the option code table	0 .. 65535 → 0 .. 65535

Table 4: LBT-1.DI1 digital input output option codes

Option code	Name	Description	Raw → Engineering data
1	FW version status	Firmware version status	0 .. 65535 → 0 .. 65535
2	Operation mode set	Node operation mode selection	0 → Not used 1 → Not used 2 → Not used 3 → Not used 4 → Reset 5 → Factory reset



**Table 4: LBT-1.DI1 digital input output option codes**

9	Wake up interval command	Command to set the time interval in which the device wakes up and sends data about the current and voltage status	0 .. 65535 → 0 .. 65535 s
10	Wake up interval status	Status of the time interval in which the device wakes up and sends data about the current and voltage status	0 .. 65535 → 0 .. 65535 s
41	Digital input 1 status	Status of digital input S1	0 → OFF 1 → ON
42	Digital input 2 status	Status of digital input S2	0 → OFF 1 → ON





5. INSTALLATION

5.1. Connection scheme

Figure 4: Example of connection scheme

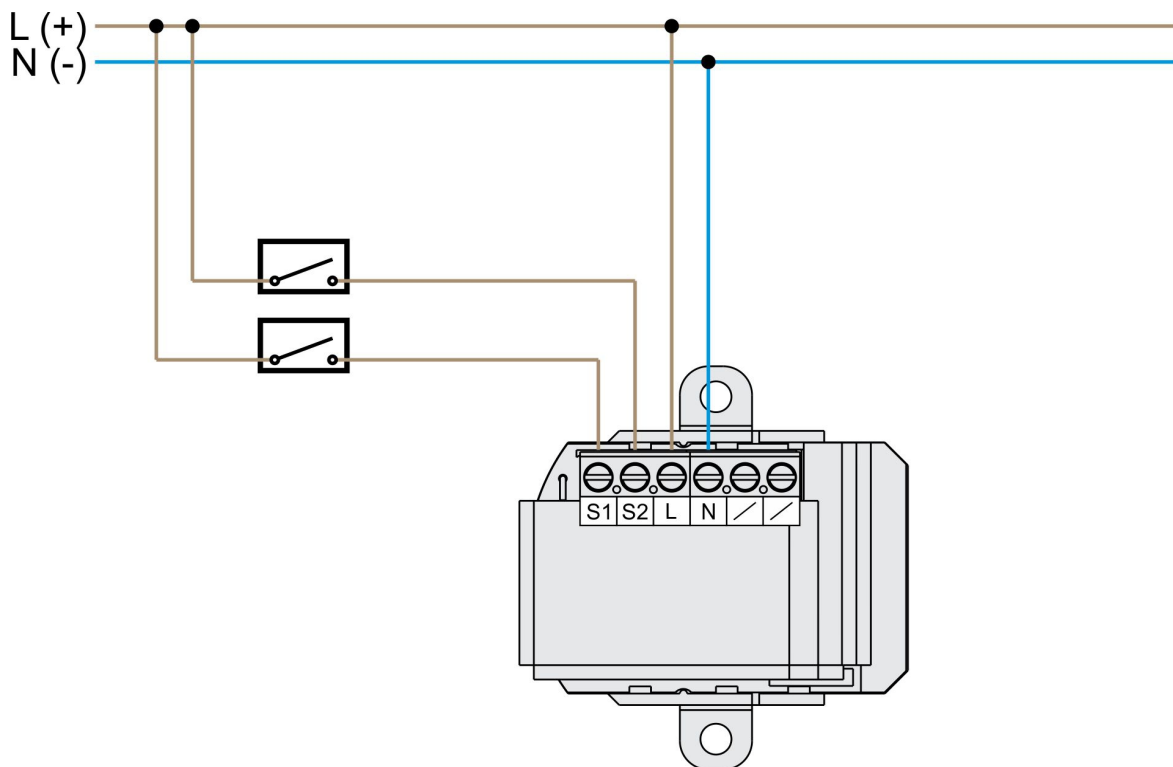


Figure 5: LBT-1.DI1 module

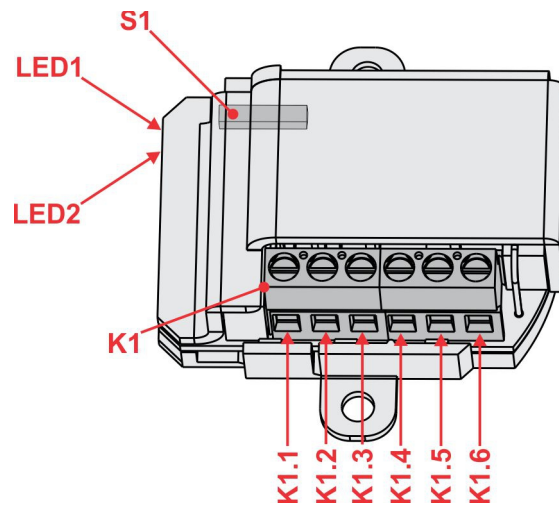


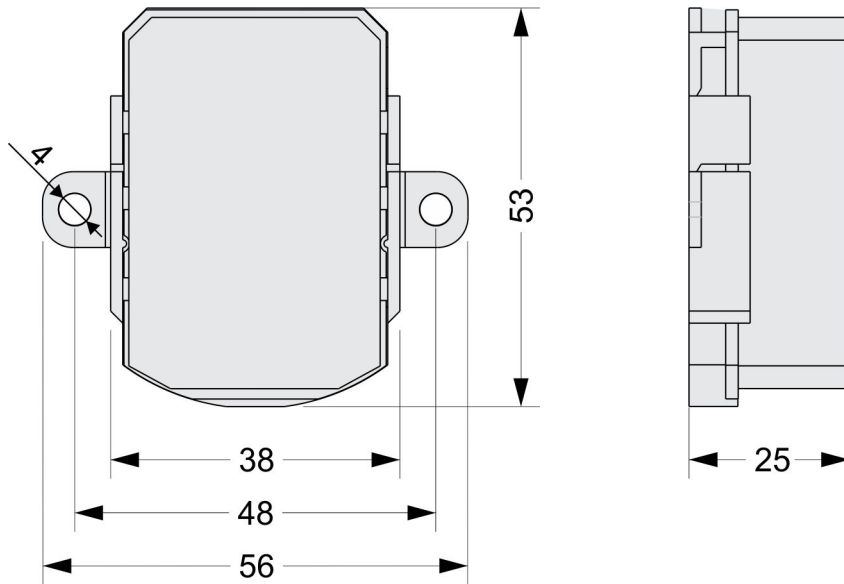
Table 5: Inputs, Outputs and LEDs

K1.1	/	N.C.						
K1.2	/	N.C.						
K1.3	N	Power supply input: neutral or GND, 90 .. 264 V AC or 11.5 .. 13 V DC						
K1.4	L	Power supply input: line or positive (+), 90 .. 264 V AC or 11.5 .. 13 V DC						
K1.5	S2	Switch input 2: line, 90 .. 264 V AC, 11.5 .. 13.5 V DC						
K1.6	S1	Switch input 1: line, 90 .. 264 V AC, 11.5 .. 13.5 V DC						
LED1: red	Error	2x blink inside 5 s time period = network/friend lost 3x blink inside 5 s time period = unprovisioned node						
LED2: green	Status	1x blink = normal operation. It's also feedback for S1 reed contact, when activated with magnet.						
S1	Reed contact	Mode setting contact Inside 5 s time window, perform corresponding number of swipes in duration of not less than 200 ms with permanent magnet close to the window sensor S1 reed contact position. Following window sensor action or mode will be set:						
		<table border="1"> <thead> <tr> <th>Number of swipes</th> <th>Action</th> </tr> </thead> <tbody> <tr> <td>4</td> <td>Reset</td> </tr> <tr> <td>5</td> <td>Factory reset</td> </tr> </tbody> </table>	Number of swipes	Action	4	Reset	5	Factory reset
Number of swipes	Action							
4	Reset							
5	Factory reset							
<p>A hardware reset is triggered if reed contact is continuously closed with a permanent magnet for more than 5 seconds.</p>								



5.2. Mounting instructions

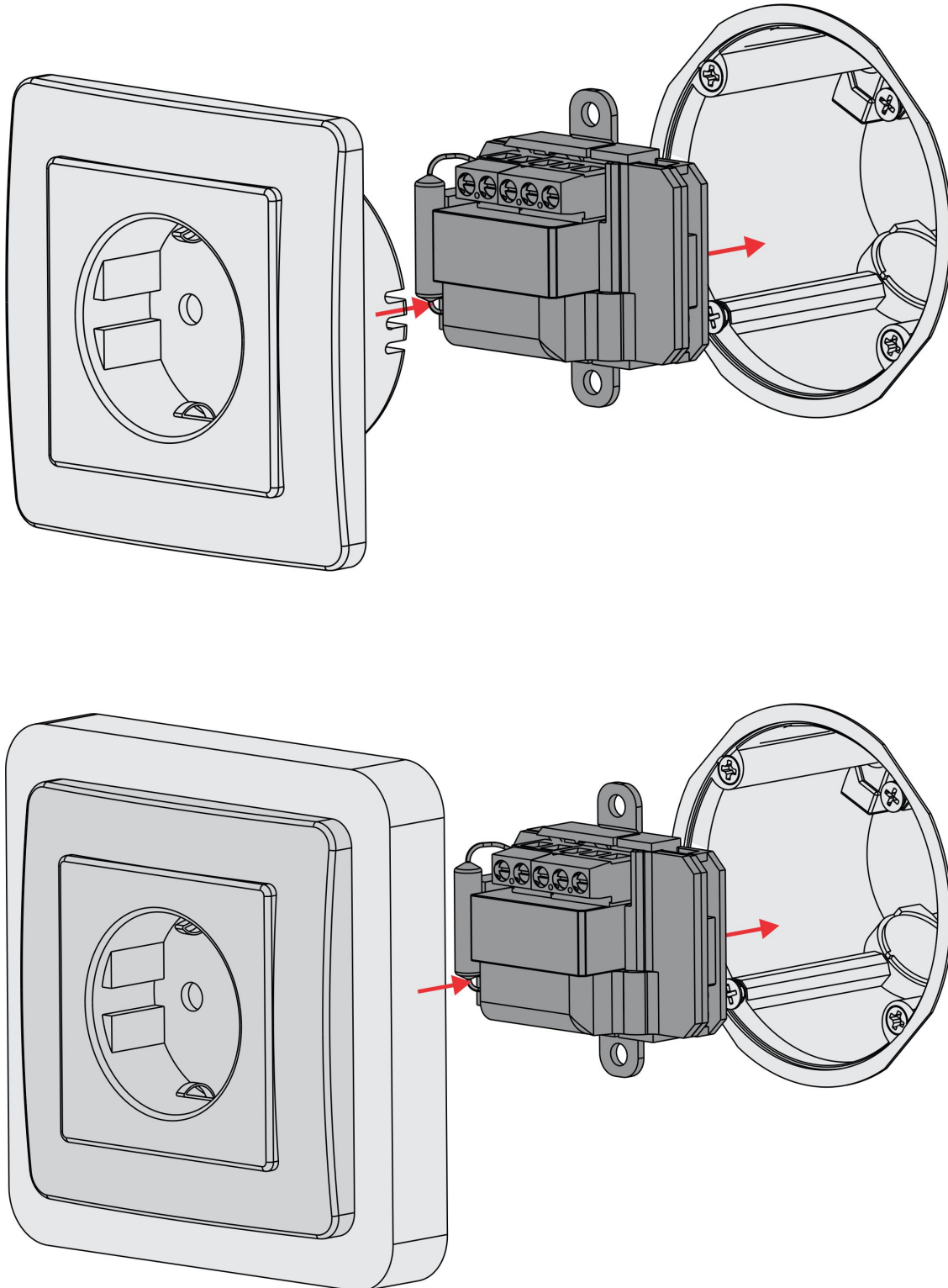
Figure 6: Housing dimensions



Dimensions in millimeters.



Figure 7: Mounting in flush mounting box



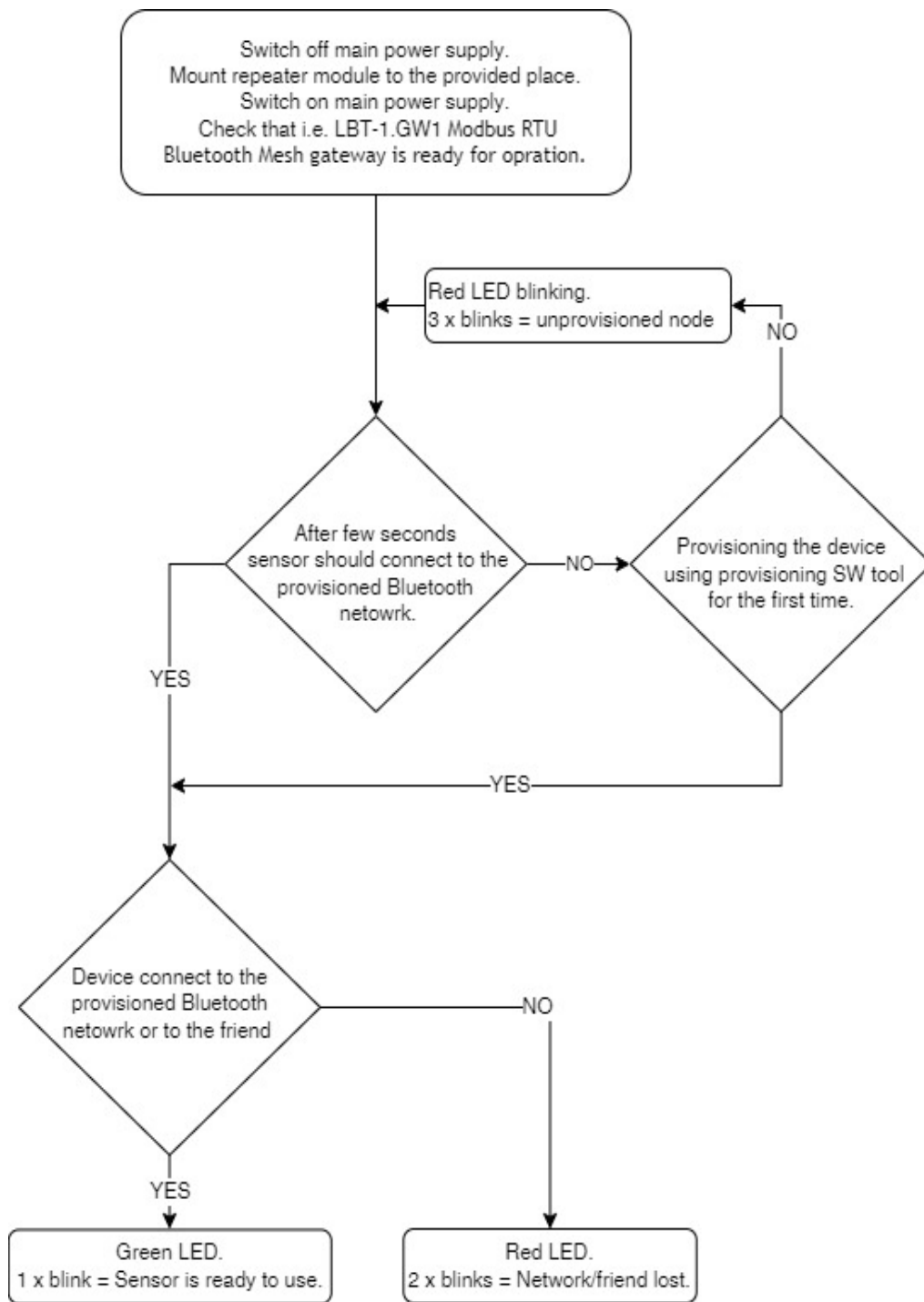


Figure 8: Installation flowchart



1. Switching Off the main power supply.
2. When you mount the module inside the flush mounting box first check, that the flush mounting box is depth enough.
If needed please use an additional spacer between the flush mounting box and the socket or contact the producer for additional information.
3. Mount the module up to the provided place and wire the module according to the connection scheme in Figure 4. When you connect the module to the traditional electrical wiring for lighting please be sure, that you wired the bridge on the last switch before the LBT-1.DI1 module as shown in Figure 4.
4. Switching On the main power supply.
5. After a few seconds Green or Red LED starts to blink, please see the flowchart above for details.
6. If the module is not provisioned Red LED will blink 3x, the provisioning procedure has to be started. Contact the producer for more details*.
7. Once provisioning is finished, the module will continue with the normal mode of operation and this will be indicated as Green LED blinking once per 10 seconds.

Dismount in reverse order.

***NOTE:** Smarteh Bluetooth Mesh products are added and connected to a Bluetooth Mesh network by using standard provisioning and configuration mobile apps tool such as nRF Mesh or similar.

Please contact producer for more detail information.



6. SYSTEM OPERATION

LBT-1.DI1 Bluetooth Mesh digital input module can switch power to the output load based on power supply voltage drop pulse, based on switch input voltage change or based on Bluetooth Mesh command.

6.1. Interference warning

Common sources of unwanted interference are devices that generate high frequency signals. These are typically computers, audio and video systems, electronic transformers, power supplies and various ballasts. The distance of the LBT-1.DI1 digital input module to the above mentioned devices should be at least 0.5 m or greater.

WARNING:

- In order to protect plants, systems, machines and network against cyber threats it is necessary to implement and continuously maintain up to date security concepts.
- You are responsible for preventing unauthorized access to your plants, systems, machines and networks and they are allowed to be connected to the Internet only, when security measures like firewalls, network segmentation, etc. are in place.
- We strongly recommend the updates and usage of the latest version. Usage of the version that is no longer supported may increase the possibility of cyber threats.



7. TECHNICAL SPECIFICATIONS

Table 7: Technical specifications

Power supply	11.5 .. 13.5 V DC 90 .. 264 V AC, 50/60 Hz
Fuse	1 A (T-slow), 250 V
Max. power consumption	1.5 W
Connection type	Screw type connectors for stranded wire 0.75 to 2.5 mm ²
RF communication interval	Minimum 0.5 s
Dimensions (L x W x H)	53 x 38 x 25 mm
Weight	50 g
Ambient temperature	0 .. 40 °C
Ambient humidity	Max. 95 %, no condensation
Maximum altitude	2000 m
Mounting position	Any
Transport and storage temperature	-20 to 60 °C
Pollution degree	2
Over voltage category	II
Electrical equipment	Class II (double insulation)
Protection class	IP 10



8. MODULE LABELING

Figure 10: Label

Label (sample):

XXX-N.ZZZ.UUU
P/N: AAABBBCCDDDEEE
S/N: SSS-RR-YYXXXXXXXXXX
D/C: WW/YY

Label description:

1. **XXX-N.ZZZ** - full product name,
 - **XXX-N** - product family,
 - **ZZZ.UUU** - product,
2. **P/N: AAABBBCCDDDEEE** - part number,
 - **AAA** - general code for product family,
 - **BBB** - short product name,
 - **CCDDD** - sequence code,
 - **CC** - the year of code opening,
 - **DDD** - derivation code,
 - **EEE** - version code (reserved for future HW and/or SW firmware upgrades),
3. **S/N: SSS-RR-YYXXXXXXXXXX** - serial number,
 - **SSS** - short product name,
 - **RR** - user code (test procedure, e.g. Smarteh person xxx),
 - **YY** - year,
 - **XXXXXXXXXX** - current stack number,
4. **D/C: WW/YY** - date code,
 - **WW** - week and,
 - **YY** - the year of production.

Optional:

- **MAC**,
- **Symbols**,
- **WAMP**,
- **Other**.





9. CHANGES

The following table describes all the changes to the document.

Date	V.	Description
10.05.24	1	The initial version, issued as <i>LBT-1.DI1 digital input module User Manual</i> .





10. NOTES

