



Technical data sheet

Temperature sensor PT1000-2, Wall

FUNCTIONS:

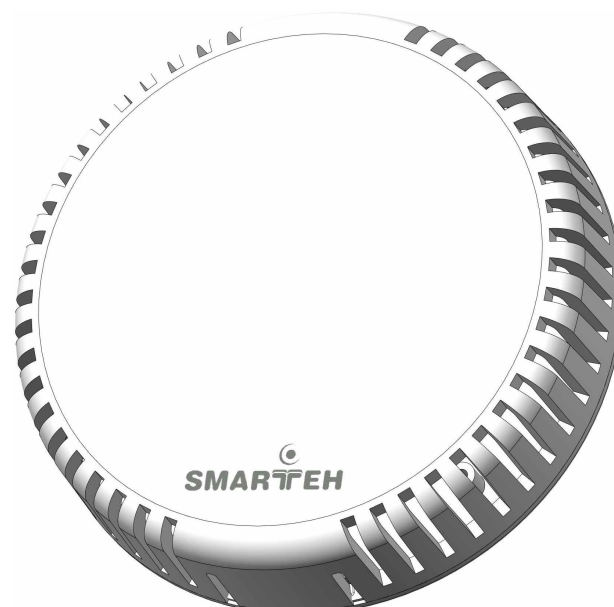
- Temperature measuring

FEATURES:

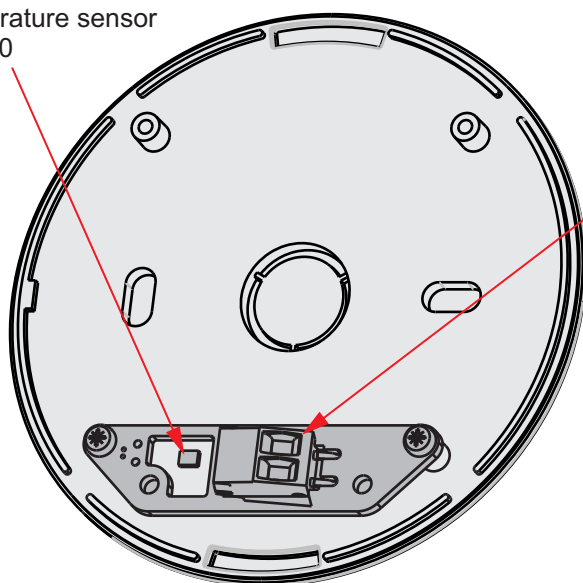
- Simple mounting
- ABS plastic (material has a UL94-HB rating)

TECHNICAL DATA:

- PT1000
 - Tolerance Class: F 0.15 (A)
 - Measuring Current: 0.1 to 0.3 mA
- Operating temperature: from -25 to 65°C



Temperature sensor
PT1000



Cable connector
0.05 .. 1.5 mm²



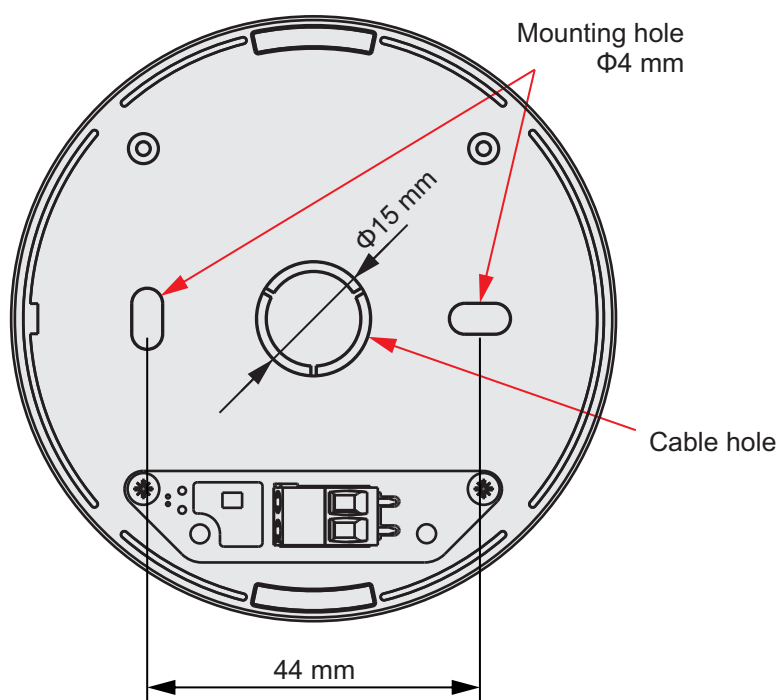
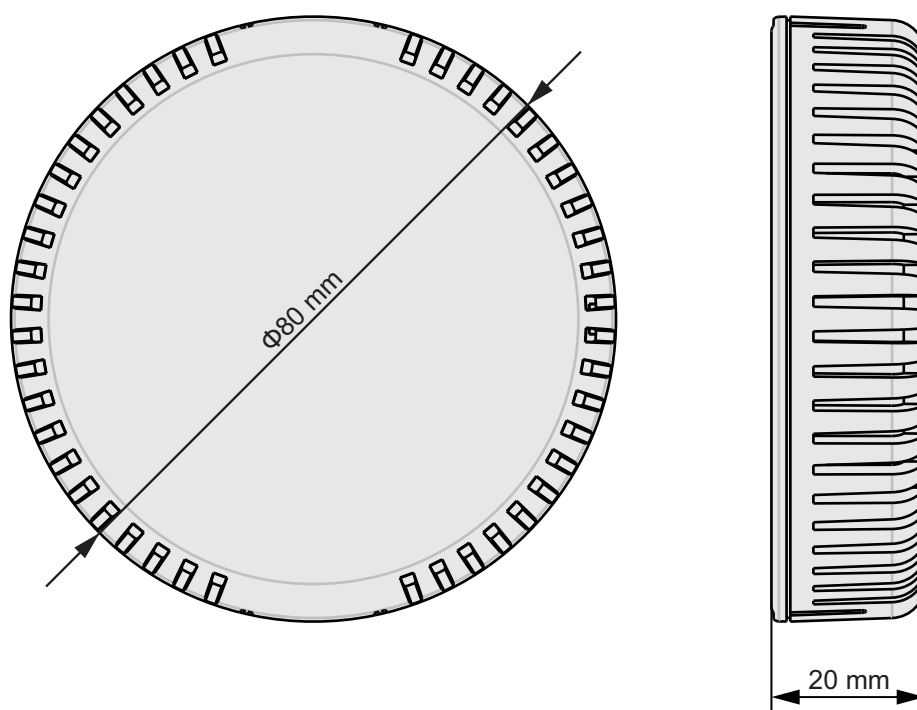
DIMENSIONS AND MOUNTING INSTRUCTIONS

Outdoor mounting

To ensure accurate outdoor temperature readings, avoid placing the sensor in direct sunlight. Choose a location protected from rain and snow. Mount it on the north side of the building, at least 2 m above the ground. Keep it away from heat sources like windows, vents, or anything else that might radiate warmth.

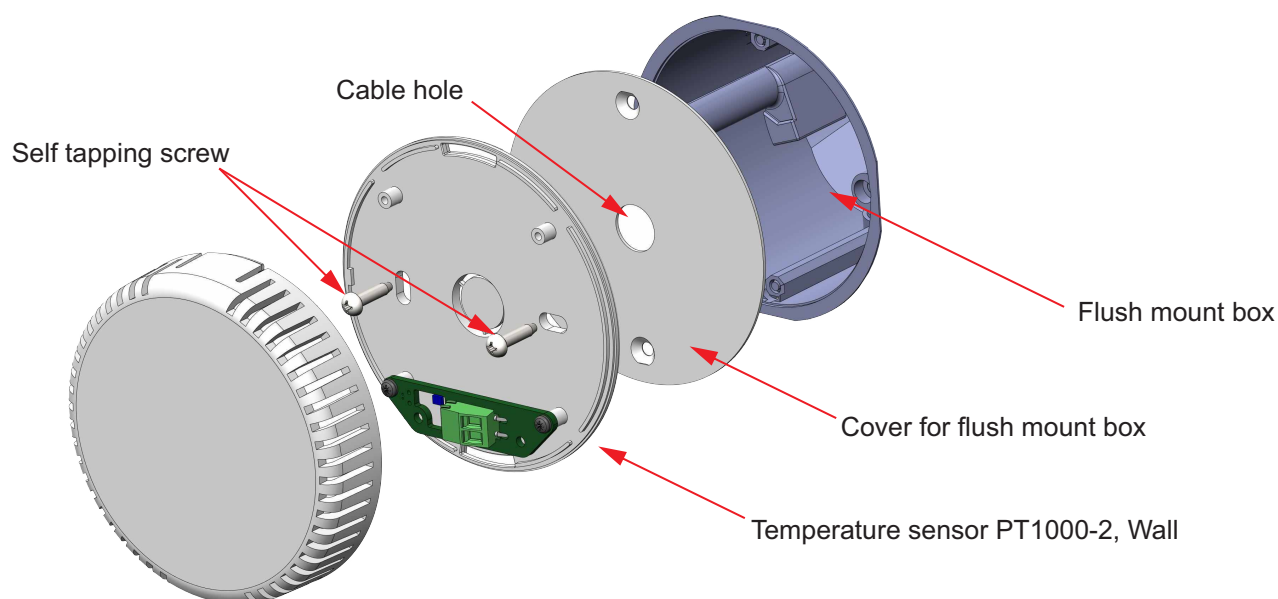
Indoor mounting

For accurate indoor temperature readings, place the sensor away from heat sources. This includes areas above radiators, near doors (drafts), or anywhere directly exposed to sunlight. The ideal location is on an interior wall, at least 1.5 m above the floor.





MOUNTING PROPOSAL ON FLUSH MOUNT BOX



SENSOR RESISTANCE VALUES FOR PT1000 ELEMENT

Resistance related to temperature for platinum element PT-1000. Resistance in Ohms.

°C	0,0	-1,0	-2,0	-3,0	-4,0	-5,0	-6,0	-7,0	-8,0	-9,0
-50,0	803,1									
-40,0	842,9	838,8	834,8	830,8	826,9	822,9	818,9	815,0	811,0	807,0
-30,0	822,2	878,3	874,3	870,4	866,4	862,5	858,5	854,6	850,6	846,7
-20,0	921,6	917,7	913,7	909,8	905,9	901,9	898,0	894,0	890,1	886,2
-10,0	960,9	956,9	953,0	949,1	945,2	941,2	937,3	933,4	929,5	925,5
0,0	1000,0	996,1	992,2	988,3	984,4	980,4	976,5	972,6	968,7	964,8
°C	0,0	1,0	2,0	3,0	4,0	5,0	6,0	7,0	8,0	9,0
0,0	1000,0	1003,9	1007,8	1011,7	1015,6	1019,5	1023,4	1027,3	1031,2	1035,1
10,0	1039,0	1042,9	1046,8	1050,7	1054,6	1058,5	1062,4	1066,3	1070,2	1074,0
20,0	1077,9	1081,8	1085,7	1089,6	1093,5	1097,3	1101,2	1105,1	1109,2	1112,8
30,0	1116,7	1120,6	1124,5	1128,3	1132,2	1136,1	1139,9	1143,8	1147,7	1151,5
40,0	1155,4	1159,3	1163,1	1167,0	1170,8	1174,7	1178,5	1182,4	1186,2	1190,1
50,0	1194,0	1197,8	1201,6	1205,5	1209,3	1213,2	1217,0	1220,9	1224,7	1228,6
60,0	1232,4	1236,2	1240,1	1243,9	1247,7	1251,6	1255,4	1259,2	1263,1	1266,9
70,0	1270,7	1274,5	1278,4	1282,2	1286,0	1289,8	1293,7	1297,5	1301,3	1305,1
80,0	1308,9	1312,7	1316,6	1320,4	1324,2	1328,0	1331,8	1335,6	1339,4	1343,2
90,0	1347,0	1350,8	1354,6	1358,4	1362,2	1366,0	1369,8	1373,6	1377,4	1381,2
100,0	1385,0	1388,8	1392,6	1396,4	1400,2	1403,9	1407,7	1411,5	1415,3	1419,1
110,0	1422,9	1426,6	1430,4	1434,2	1438,0	1441,7	1445,5	1449,3	1453,1	1456,8