



## Technical data sheet

### Temperature sensor PT1000-M16

#### FUNCTIONS:

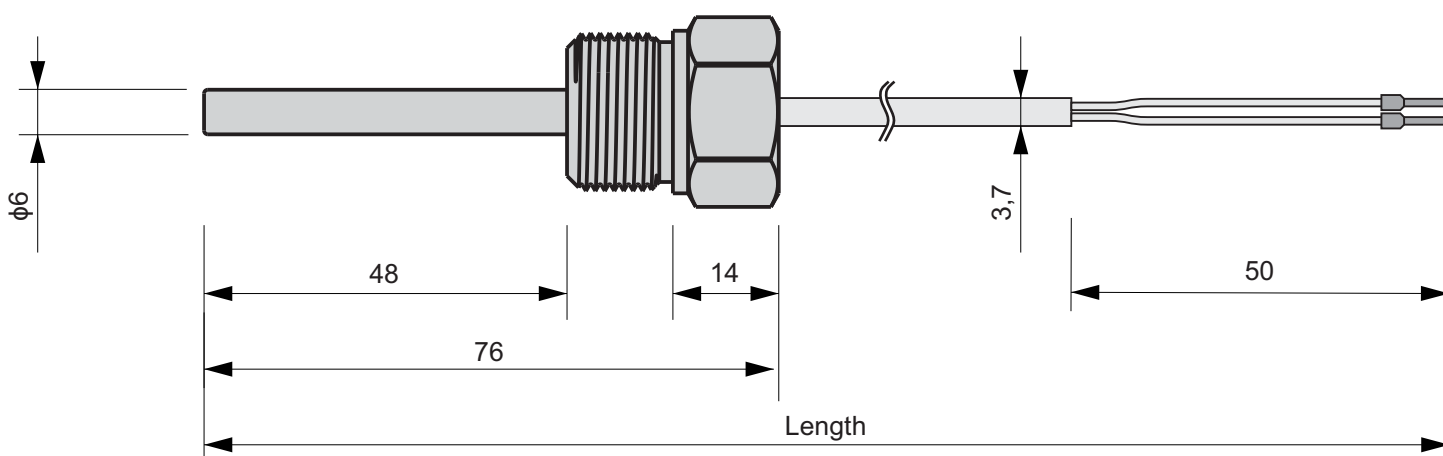
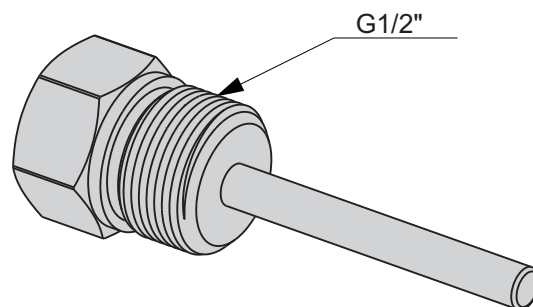
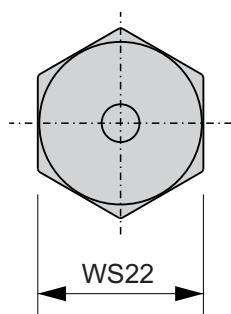
- Temperature measuring

#### FEATURES:

- Simple mounting

#### TECHNICAL DATA:

- Cable: 2 x 0,5 mm<sup>2</sup>
  - Fine wire strands of non-porous tinned copper based on IEC 60228 resp. VDE 0295, Class 5 starting at 0.5 mm<sup>2</sup> acc. to IEC 60228 resp. VDE 0295, Class 5
  - Insulation: Stress-crack resistant FEP according to type 6Y11 (VDE 0207 part 6)
  - Standards: adapted to DIN VDE 0250 Teil 1 und Teil 502, VDE 0482-332-1-2
  - Minimum bending radius: 55,5 mm
- Cup material:
  - Inox
- PT1000
  - Tolerance Class: F 0.15 (A)
  - Measuring Current: 0.1 to 0.3 mA
  - Time constant: approx. 5 s
- Operating temperature: from -25 to 180°C



NOTE: Dimension are in millimeters